



### Features

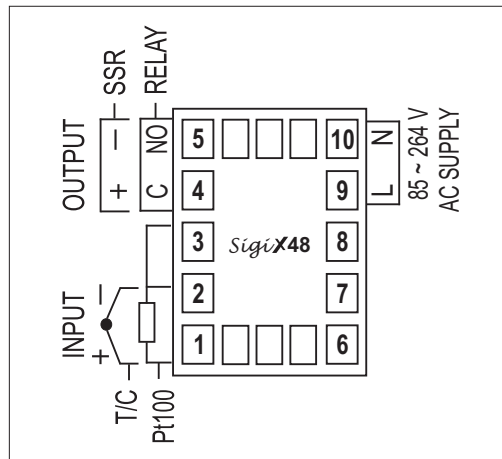
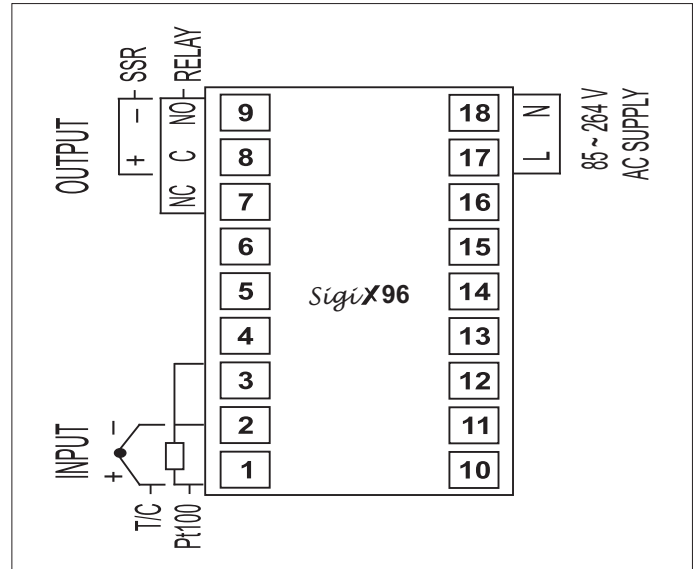
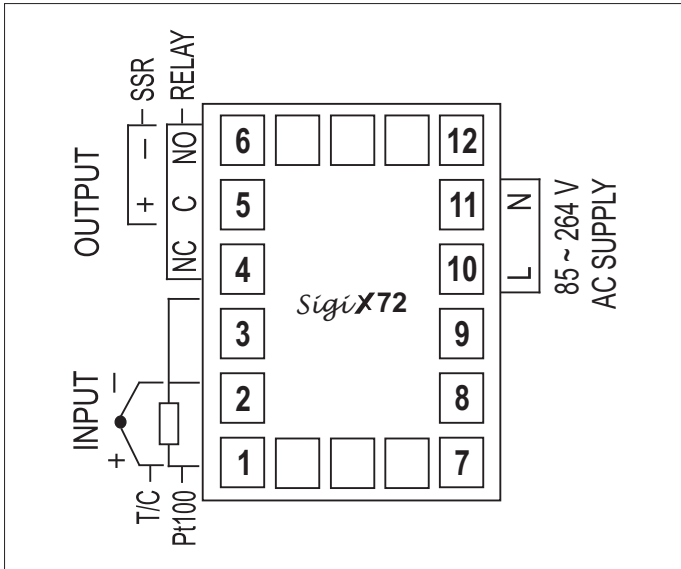
- Dual Row 4 Digit Display
- Input Calibration Versions : J/K, R/S, RTD Pt100
- Configurable as Control or Alarm Function
- Programmable On-Off or Time-Proportionating Control with Settable Hysteresis, Proportional Band & Cycle Time
- Manual Reset Feature for Time-Proportionating Control
- Programmable Time-Delay for Compressor Control
- Relay or SSR Drive Control Output
- Sizes (mm) : *SigiX 48* : 48(H) X 48(W) X 85(D)  
*SigiX 72* : 72(H) X 72(W) X 65(D)  
*SigiX 96* : 96(H) X 96(W) X 65(D)

### Specifications

Display		
Digital Readout	4 digits, 0.3" Bright Red LED, 7 Segment (SigiX48) 4 digits, 0.5" Bright Red LED, 7 Segment (SigiX72 and SigiX96)	
Status Indicator	Red LED (3mm Round)	
Keys		
Type	4 Tactile Switches	
Functions	PAGE, DOWN, UP, ENTER	
Sensor Input		
Thermocouple Version	Type	J (0 to 960°C), K (-200 to 1375°C) <b>or</b> R (0 to 1770°C), S (0 to 1765°C)
	Accuracy	±0.25% of reading ±1°C
	Correction	In-built Automatic Cold Junction Compensation

RTD Version	Type	Pt100 (Selectable : -200 to 600°C, -199.9 to 600.0°C)
	Accuracy	±0.25% of reading ±1°C
	Correction	In-built Lead Resistance Compensation
ADC	16 Bit (±32,768 Counts), Sigma-Delta (ΣΔ)	
Sampling Time	200mS (5 Samples per Second)	
Input Resistance	> 8 MOhm	
CMR	> 100dB at 50/60 Hz	
Signal Conditioning	L-C Analog Filter	
Zero Offset	User Adjustable over Full Range	
<b>Alarm</b>		
Programmable Parameters	Type	: Process Low, Process High, Deviation, Window
	Logic	: Normal, Reverse
	Inhibit	: No, Yes
<b>Control</b>		
Type	On-Off, Time-Proportionating (with Manual Reset)	
Mode	Heat (Reverse), Cool (Direct)	
Control Parameters	<ul style="list-style-type: none"> <li>On-Off : Hysteresis, Time-Delay</li> <li>Time-Proportionating : Proportional Band, Cycle Time</li> </ul>	
<b>Outputs</b>		
Relay	Contact Type : Potential-free Change-over Contacts Contact Rating : 10 A Resistive @ 120/240 VAC Contact Life : > 5,00,000 Operations at Rated Voltage / Current	
SSR Drive	> 4.2 VDC into 1KOhm Minimum	
<b>Power Supply</b>		
Type	Switch Mode (SMPS)	
Line Voltage	85~264 VAC/VDC, 50/60Hz	
Consumption	5VA Max	
<b>Physical</b>		
Mounting	Plug-in with Panel Mounting Clamps	
Panel Cutout (mm)	<b>SigiX48</b> : 45(H) X 45(W) <b>SigiX72</b> : 68(H) X 68(W) <b>SigiX96</b> : 92(H) X 92(W)	
Terminals	Screw Type	
Weight	225gm, Appx.	
<b>Environmental</b>		
Operating Ambient	0~55°C & 5~90%RH Non-condensing	
EMC Standards	EN50081-2 & EN 50082-2 Generic Stds for Industrial Environment	
Atmospheres	Not Suitable for use in Corrosive or Explosive Atmospheres. The Panel in which the Instrument is Mounted must be free of Electrically Conductive Pollution.	

# Back Panel Terminations



## Ordering Code

Input		Output		Power Supply		Size	
JK	J/K Thermocouple	1	Relay	0	85~264 VAC	44	SigiX48
RS	R/S Thermocouple	2	SSR Drive			77	SigiX72
PT	RTD Pt100					99	SigiX96

Example Code

**JK - 2 - 0 - 44**

J/K Thermocouple Input, Output SSR Drive, 85~264 VAC Supply, 48 X 48 Size.