



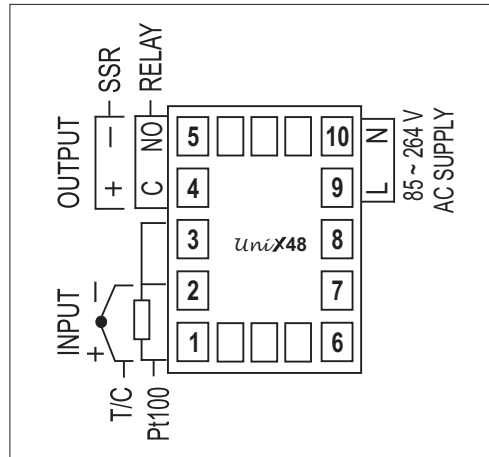
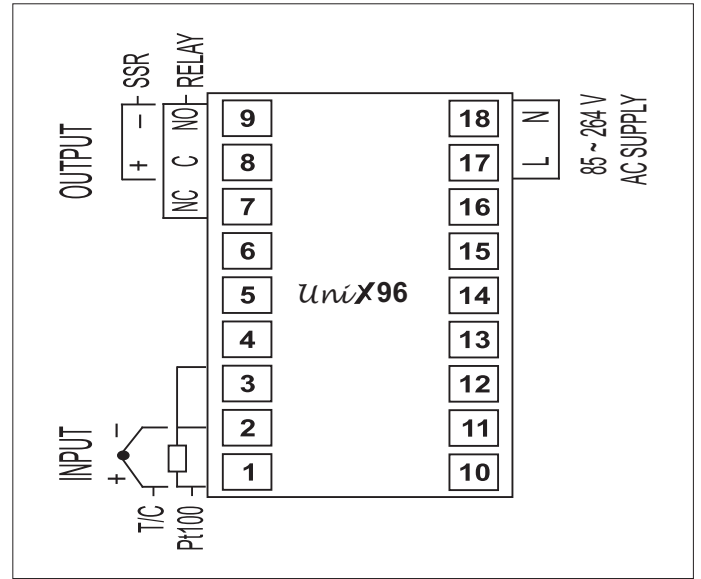
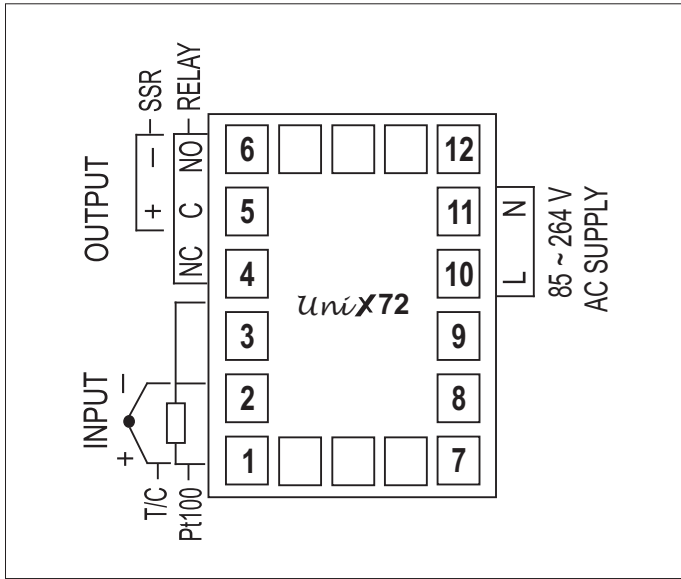
Features

- Dual Row 4 Digit Display
- Input Calibration Versions : J/K, R/S, RTD Pt100
- Programmable Input Signal Conditioning (Digital Filter & Zero Offset)
- Self Tune PID Control
- Overshoot Inhibit Feature
- Programmable Heat / Cool Control Mode
- Relay or SSR Drive Control Output
- Sizes (mm) : *UniX48* : 48(H) X 48(W) X 85(D)
UniX72 : 72(H) X 72(W) X 65(D)
UniX96 : 96(H) X 96(W) X 65(D)

Specifications

Display		
Digital Readout	4 digits, 0.3" Bright Red LED, 7 Segment (UniX48) 4 digits, 0.5" Bright Red LED, 7 Segment (UniX72 and UniX96)	
Status Indicator	Red LED (3mm Round)	
Keys		
Type	4 Tactile Switches	
Functions	PAGE, DOWN, UP, ENTER	
Sensor Input		
Thermocouple Version	Type	J (0 to 960°C), K (-200 to 1375°C) or R (0 to 1770°C), S (0 to 1765°C)
	Accuracy	±0.25% of reading ±1°C
	Correction	In-built Automatic Cold Junction Compensation

Back Panel Terminations



Ordering Code

Input		Output		Power Supply		Size	
JK	J/K Thermocouple	1	Relay	0	85~264 VAC	44	UniX48
RS	R/S Thermocouple	2	SSR Drive			77	UniX72
PT	RTD Pt100					99	UniX96

Example Code **JK - 2 - 0 - 44**
 J/K Thermocouple Input, Output SSR Drive, 85~264 VAC Supply, 48 X 48 Size.