

Series IN50S

Incremental Rotary Encoders

Specifications

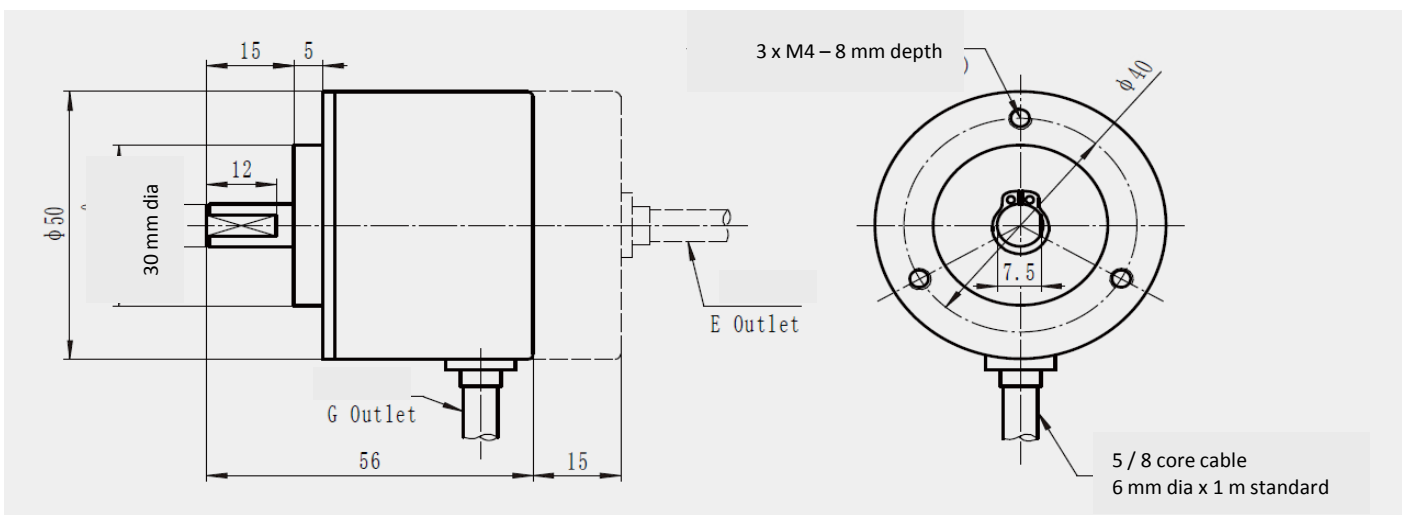
Resolution	: 100 ... 6000 ppr
External Diameter	: 50 mm
Shaft Diameter	: 8 mm
Shaft Length	: 15 mm
Shaft Load	: Radial $\leq 30N$, Axial $\leq 20N$
Supply Voltage	: DC 5V 8 ... 26V 10 ... 30V 12V
Output Model	: Voltage Push-pull Open collector Line driver
Output Phase	: A, B, Z A, \bar{A} , B, \bar{B} , Z, \bar{Z}
Current	: 60 ... 120 mA
Slew Speed	: 6000 rpm
Frequency Response	: 0-300 kHz
Termination	: Side Entry Cable Rear Entry Cable
Operating Temperature	: -20 ... +85°C
Protection Class	: IP54



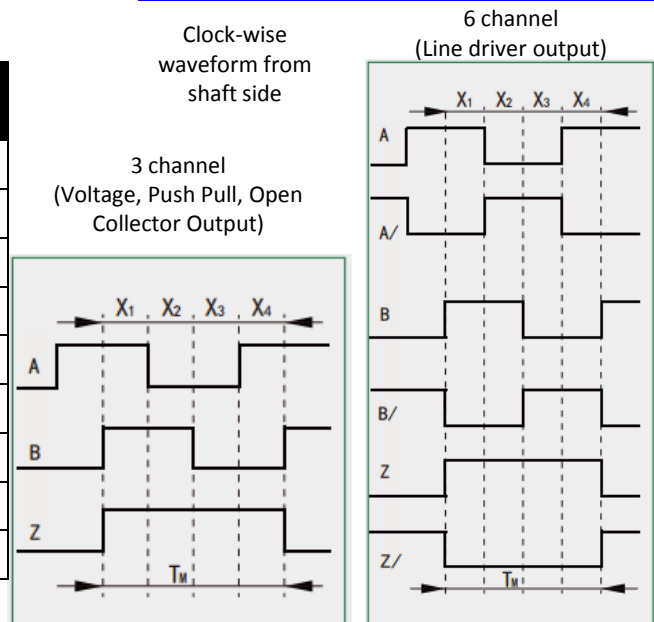
Electrical Connection

Cable Color	E (Voltage)	F (Push Pull)	C (Open Coll)	L, A (Line Driver)
Red	Vcc	Vcc	Vcc	Vcc
Black	0 V	0 V	0 V	0 V
Green	A	A	A	A
Brown				\bar{A}
White	B	B	B	B
Grey				\bar{B}
Yellow	Z	Z	Z	Z
Orange				\bar{Z}
Shield	G	G	G	G

Dimensions



Output Waveform



Incremental Rotary Encoders

Ordering Code

