

Series IN58S

Incremental Rotary Encoders

Specifications

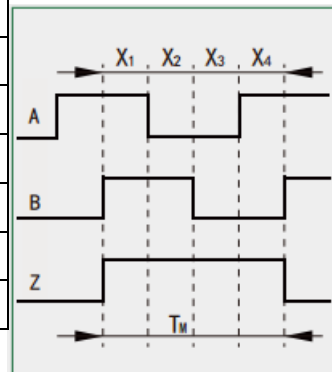
Resolution	: 100 ... 6,000 ppr
External Diameter	: 58 mm
Shaft Diameter	: 10 mm
Shaft Length	: 15 mm
Shaft Load	: Radial $\leq 30N$, Axial $\leq 20N$
Supply Voltage	: DC 5V 8V ... 26V 10V ... 30V 12V
Output Model	: Voltage Push-pull Open collector Line driver
Output Phase	: A, B, Z A, <u>A</u> , B, <u>B</u> , Z, <u>Z</u>
Current	: 60 ... 120 mA
Slew Speed	: 6000 rpm
Frequency Response	: 0-300 kHz
Termination	: Side Entry Cable Rear Entry Cable
Operating Temperature	: -20 ... +85°C
Protection Class	: IP54



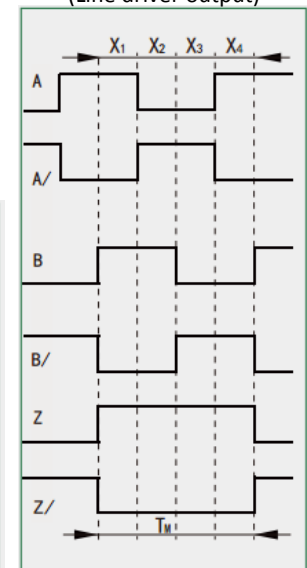
Output Waveform

Clock-wise waveform from shaft side

3 channel (Voltage, Push Pull, Open Collector Output)



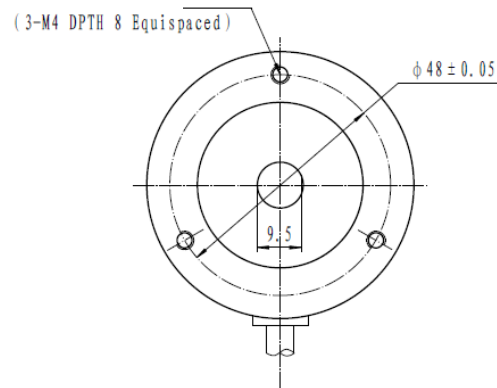
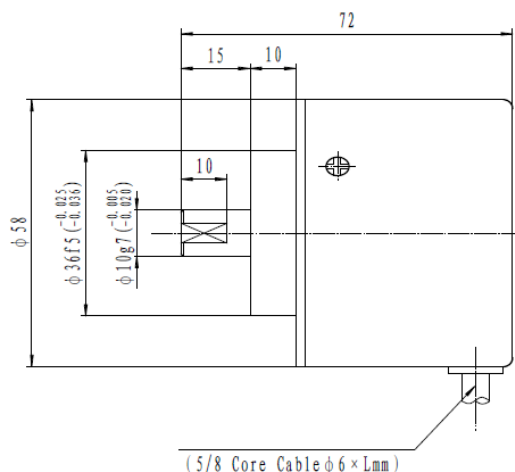
6 channel (Line driver output)



Electrical Connection

Cable Color	E (Voltage)	F (Push Pull)	C (Open Coll)	L, A (Line Driver)
Red	Vcc	Vcc	Vcc	Vcc
Black	0V	0V	0V	0V
Green	A	A	A	A
Brown				<u>A</u>
White	B	B	B	B
Grey				<u>B</u>
Yellow	Z	Z	Z	Z
Orange				<u>Z</u>
Shield	G	G	G	G

Dimensions



Incremental Rotary Encoders

Ordering Code

